



The Signal Report

A Publication of the Greenwood Amateur Radio Society

VOLUME 5 ISSUE 11

NOVEMBER

[HTTP://WWW.W4GWD.ORG](http://www.w4gwd.org)

W4GWD@ARRL.NET

2009 CLUB

OFFICERS

President

Joe Mimms,
K4GBH

Vice President

Phil Henry,
WW4I

Secretary

Jewell Mimms,
K14WJO

Treasurer

Tedd Davison,
A14WN

Repeater Trustee

Buddy Willis,
W4DEW

Activities Manager/ Editor in Chief

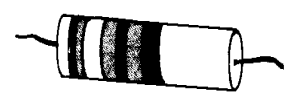
Adam Shirley,
WJ4X

**The W4GWD
Repeater Network**
147.165+ t107.2
443.900+ t107.2
W4DEW/R
146.910- t123.0

November Meeting

G.A.R.S. will meet Monday, November 16, 2009, at the Turner House on Bailey Circle in Greenwood at 7pm for light refreshments and 7:30pm for the meeting. The club meetings are now listed in the Index Journal on page 2A each month under "Community Calendar" and meetings are also listed in Greenwood's Town Planner which is circulated to most homes in the area.

Homebrew Challenge



Hopefully your projects are getting finished up for the 2009 Greenwood Amateur Radio Society Homebrew Challenge! So far, quite a few people have expressed interest in building a project, and their skills are to be displayed at the GARS November meeting. Just make sure everything is documented, including Part 97 compliance if necessary. Any questions, direct them to Adam, WJ4X.

Remember to bring your projects to the Next meeting!!!

SC SSB Net



The SC Single Sideband Net (SCSSB) is a public service body consisting of Amateur Radio (Ham) operators who meet daily at 7:00 pm on 3.915 MHz for the purpose of passing formal written traffic into, out of, and throughout the state of South Carolina. The net is a member of the National Traffic System (NTS) and is affiliated with the American Radio Relay League (ARRL) headquartered in Newington, Conn. All licensed Amateurs with HF privileges are invited to check in.

Society Events:

Chat 'N' Chew

Every Friday at 11:30am the members of the Greenwood Amateur Radio society meet at Ryan's Steak House, Bypass 25 NE, Greenwood.

Everyone is welcome to have lunch or sip your favorite beverage and chat for a while.
(Dutch treat).

December 01, 2009 VE Exam Session 7:00pm Greenwood Red Cross

GARS ARRL Volunteer Examiners (VE) Team will have an exam session 7:00pm Tuesday, December 1st at The American Red Cross Building, 520 Epting Avenue, Greenwood, SC 29646.

Weekly Net

Every Thursday night at 9pm on 147.165+, The Greenwood Amateur Radio Society holds the weekly 2 meter net.

Help spread the word for everyone to check-in to our net.

If you would like to fill in or be a backup net control please let Buddy Willis, W4DEW know.

Ladies Net:

The GARS Weekly 2 Meter Female Amateur Radio Net began on Tuesday, January 8, 2008 at 8 PM on the GARS 2 Meter Repeater. This net will be held every Tuesday night at the same time.

All interested female amateurs are invited and encouraged to check in. Subjects of discussion will be anything of interest to women.

If you have any questions, please contact Jean (W4KKA) at 864-953-0004 or Jo (KC4UU) at 864-446-7187.

Congratulations

Happy Birthday!

Phil Henry	WW4I	Nov 6
Jo Henry	KC4UU	Nov 21
Don Screws		Nov 22
Gay Willis	W4GSW	Nov 25
Jean Farmer	W4KKA	Dec 24
Don Finlayson	KG4WRC	Dec 31
Eldora Keck	KB4YON	Dec 31

Happy Anniversary!

Buddy (W4DEW) and Gay (W4GSW) Willis	Nov 28
Darrell (KI4BST) and Dena Manning	Dec 3
Warren (W4PY) and Mamie Wise	Dec 7
Bert (KJ4VJ) and Eldora (KB4YON) Keck	Dec 22

Missing Q signals...
#3954:

QCW? - Why are you
whistling Morse
Code?

SC ARES/RACES HF Net shared by K4LE0

SC ARES/RACES conducts two HF nets monthly. The net meets on the first and third Mondays, at 6:00 PM (1800ET). The net meets around 3.9935 MHz. Normally the State Emergency Coordinator, Charlie Miller AE4UX, acts as the Net Control Station (NCS) from his QTH of Trenton, SC.



Stations are called by the six Emergency Management Division (EMD) areas. Greenwood, McCormick and Abbeville are in Area 1,

Laurens, Area 2, and Saluda is Area 3.

If the NCS calls for only RACES card holding stations representing the local EOC and one doesn't currently have a RACES card, wait until after all areas are called and the NCS gives a second call for other stations by areas.

If 3.9935 has QRM/QRN the NCS may move down to 3.990 or 3.991. Typically, the net lasts for about 10-20 minutes depending on how many stations check in. The check in procedure is to call the NCS, then give your call and county. Your name is not required.

This is not a traffic or rag chewing net, if you have information for the NCS or another station checking in, inform the NCS.

You do not have to be a card holding member of SC ARES/RACES or a member of your county RACES program to check into this net.

For More Information, check out:
www.ares-sc.org

Society News:

Everyone Remember the Homebrew Challenge! Next Monday's meeting is the presentations, and I am sure everyone is going to show up with a great project!

The "Rolling Roundtable" meets most mornings and evenings around 7 o'clock and attracts many fine folks around the area (and even some from way out of the area!) We'd love for you to jump in!

The Club Workdays for the Repeater Site are the 2nd Thursday of each month, So if you are able to come or need directions, get in touch with Buddy, W4DEW, and he'll get you all fixed up.

Please remember our nets on every Thursday night at 9pm. And the Ladies on Tuesday at 8pm. We would love to have everyone that can reach the machine check in so we get a good idea of coverage, as

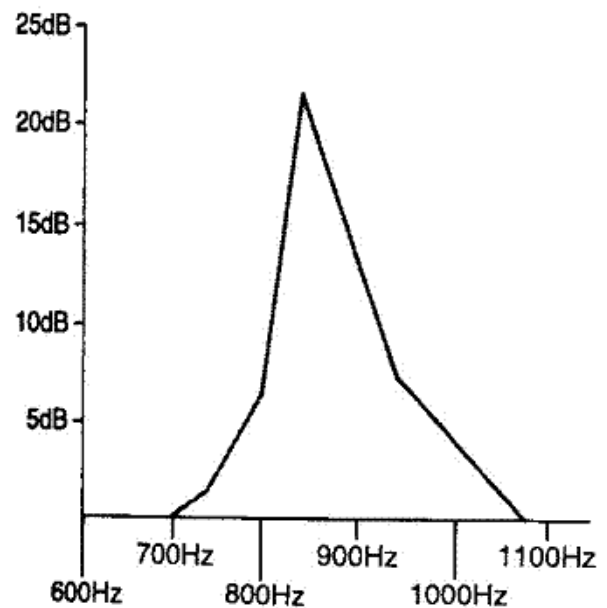
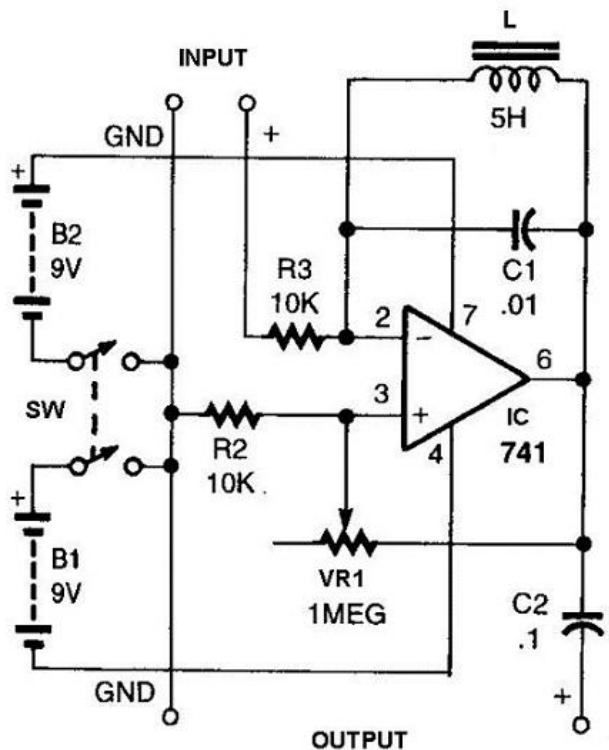
well as meet lots of new folks who'll maybe sit back, stay a while and join us "On the Stump"

Until Next Time,
You're always 5 and 9 with
The Signal Report

-Ed.

Audio Filtering

One of the earliest mode of radio communications is the use of Morse Code on a continuous wave carrier (CW) which is interrupted to generate a dit and dah in forming an alphabet. Though it looks simple, this method is often make less reliable as the surrounding man-made noise and atmospheric noise caused interference to the receiver station. This project will help to filter out the interference signal and ensure that the signal received from the Morse code station stand out.



Circuit Description:

The schematic diagram of the filter circuit is simple and easy to build. It uses common parts that can be purchased easily from any electronic shops. At the core of the circuit is a OP AMP where its input is connected to the headphone jack of the receiver. Some of the amplified signal is feedback through potentiometer VR1 to the non inverting input which helps to boost the gain and hence called positive feedback. Some is passed to the inverting input through a LC circuit. This cancels the gain of the amplifier except at the resonant frequency - high impedance at resonance state. The amount of positive feedback is adjusted using the potentiometer VR1.

Ham Radio Circuit Filter Parts List

Parts List for Ham Radio Filter Circuit

Label	Description
VR1	1 Mohm potentiometer
R2, R3	10 K ohm 1/4W, 5% resistor
IC	741 OP AMP
C1	0.01 uF/50V, ceramic capacitor
C2	0.1 uF/50V Mylar capacitor
L	5H Choke or equivalent
SW	Double Pole Double Throw (DPDT Switch)
B1, B2	9 V alkaline battery

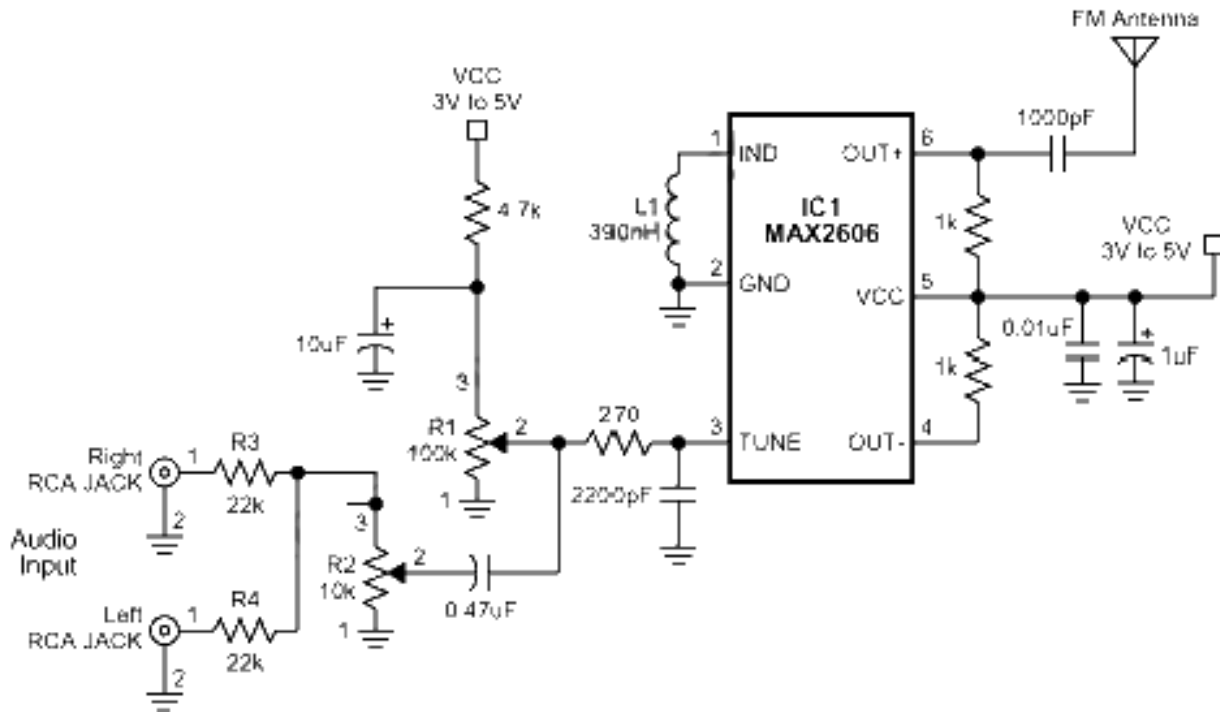
L choke should be in the region of 5H but this is not critical. Try using the winding of an audio transformer to make this choke. The output of this filter is connected to the earphones. On Switch SW and on the radio. Vary the VR1 until it goes into oscillation and then turn it back a bit. Tune across the code station and you will hear a sharp peak response effectively cutting off other noise and interference.

Figure above shows the filter's selectivity response curve. It is sharp at the peak at 20dB at the audio frequency of 800kHz - 900kHz.

Source : Extracted from Popular Electronics Oct 1997, By Larry Lisle.

Circuit Of The Month Club

See if you can duplicate this simple circuit that acts as an FM Transmitter



HAMFESTS and EVENTS:

The Greenwood Amateur Radio Society with great sadness announces that the 2010 Hamfest has been canceled. The location the Hamfest has been held in has been closed by the Greenwood County Council and we are unable to secure another facility that could handle a quality hamfest.

Please stay tuned!

6 Feb 2010
South Carolina State Convention
Charleston Amateur Radio Society
<http://www.wa4usn.org>
Talk-In: 146.19+; 144.65+; 147.645-; & 144.81+
Contact: Jenny Myers, WA4NGV
2630 Dellwood Avenue
North Charleston, SC 29505-6814
Phone: 843-747-2324
Email: brycemyers@aol.com
Ladson, SC
Exchange Park Fairgrounds
9850 Hwy 78

9 Jan 2010
TechFest
Gwinnett Amateur Radio Society
<http://www.gars.org>
Talk-In: 147.075 (PL 82.5)
Contact: Norman Schklar, WA4ZXV
480 North Peachtree Street
Norcross, GA 30071
Phone: 770-313-9410
Fax: 770-755-5411
Email: wa4zxv@arrl.net
Lawrenceville, GA
St. Marguerite Church
85 Gloster Road NW

9 Jan 2010
Winston-Salem FirstFest
Forsyth Amateur Radio Club
<http://www.w4nc.com>
Talk-In: 146.64 (PL 100) or 145.47 (PL 100)
Contact: Ray D'Eau
c/o Forsyth ARC
PO Box 11361
Winston-Salem, NC 27116-1361
Phone: 336-245-5740
Email: hamfest@w4nc.org
Winston-Salem, NC
Summit School
2100 Reynolds Road

IF YOU WOULD LIKE YOUR HAMFEST OR EVENT LISTED HERE, PLEASE CONTACT

ADAM, WJ4X@AMSAT.ORG

Packet Cluster:

- ◆ Spread The Word! 147.165 Net Thurs. 9pm
 - ◆ Everyone had a great time at the Lawrenceville, Ga Hamfest. The Greenwood Crew brought back plenty of goodies to keep everyone on the air!
 - ◆ <http://www.amsat.org> for all your satellite needs
 - ◆ Support for SERA supports proper coordination!
<http://www.sera.org>
- Let us know what you're up to by sending an email to:
WJ4X@amsat.org

Classifieds:

Nothing this month, check back soon!

If anyone has any Ham radio stuff to sell or trade... list it in this column by calling Buddy, w4dew@arrl.net, 864-445-7574

If you want to see your article in The Signal Report, please send an email to the newsletter staff via WJ4X@amsat.org